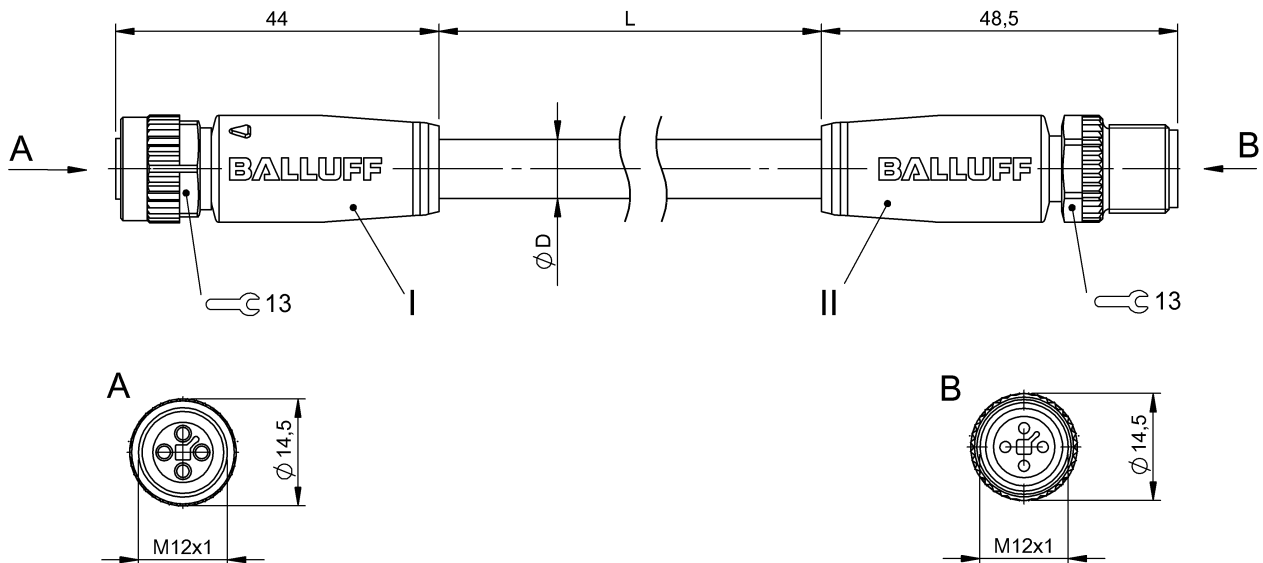


Double-Ended Cordsets
BCC M414-M414-3T-304-PX04A5-020
Order Code: BCC0JZ0

BALLUFF



Basic features

Approval/Conformity	CE WEEE
---------------------	------------

Electrical connection

Bending radius min., fixed cable	7.5 x D
Bending radius min., flexible cable	10 x D
Cable	PUR black, 2 m, drag chain compatible
Cable diameter D	8.00 mm ±0.20 mm
Cable, bending cycles min.	5 mil.
Conductor cross-section	1.5 mm ²
Connection 1	M12x1-Female, straight, 4-pin, T-coded
Connection 2	M12x1-Male, straight, 4-pin, T-coded
Number of conductors	4
System	Molded/Molded

Electrical data

Operating voltage U _b	63 VDC / 63 VAC
Rated current (40 °C)	12.0 A

Remarks

Cable construction acc. to UL-AWM Style 20234
 Halogen-free
 Silicone-free
 Flame-retarding
 Enclosure rating per IEC 60529 or 20653, only in screwed state with the associated mating piece.

Environmental conditions

Cable temperature, fixed routing	-50...80 °C
Cable temperature, flexible routing	-20...80 °C
IP rating	IP67, IP68, IP69K/IP67, IP68, IP69K

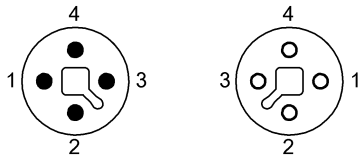
Material

Cable jacket, material	PUR
Material contact carrier	PUR/PUR
Material contacts	Bronze/Brass
Material cover nut	Die-cast zinc/Die-cast zinc
Material grip	PUR/PUR

Mechanical data

Acceleration max., drag chain	5 m/s ²
Cable jacket, color	black
Cable length L	2.00 m
Cable properties	drag chain compatible
Horizontal travel permitted, drag chain	20 m
Tightening torque pigtail	0.6 Nm/0.6 Nm
Traverse speed max., drag chain	300 m/min

Connector Drawings



II	I
PIN 1: brown	PIN 1: brown
PIN 2: white	PIN 2: white
PIN 3: blue	PIN 3: blue
PIN 4: black	PIN 4: black

Wiring Diagrams

